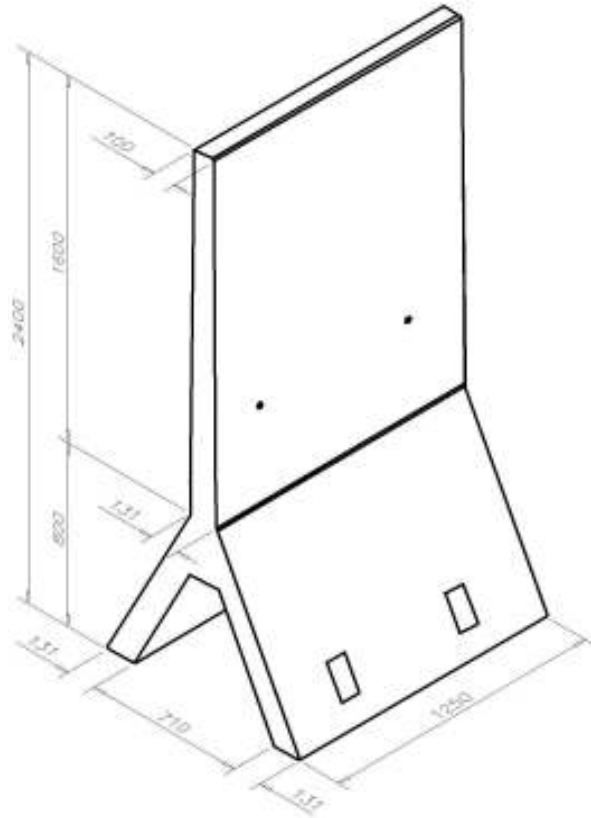


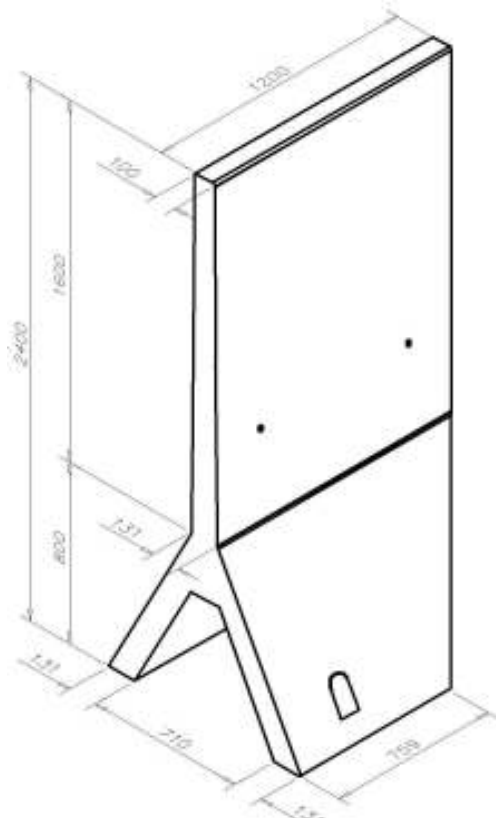
# ROCKET WALLS™

## Unit Dimensions

Rocket wall® units are available in heights of 2.4m and 3.0m, with nominal weight of 1.25t and 1.85t respectively.



2.4m high Rocket Wall unit

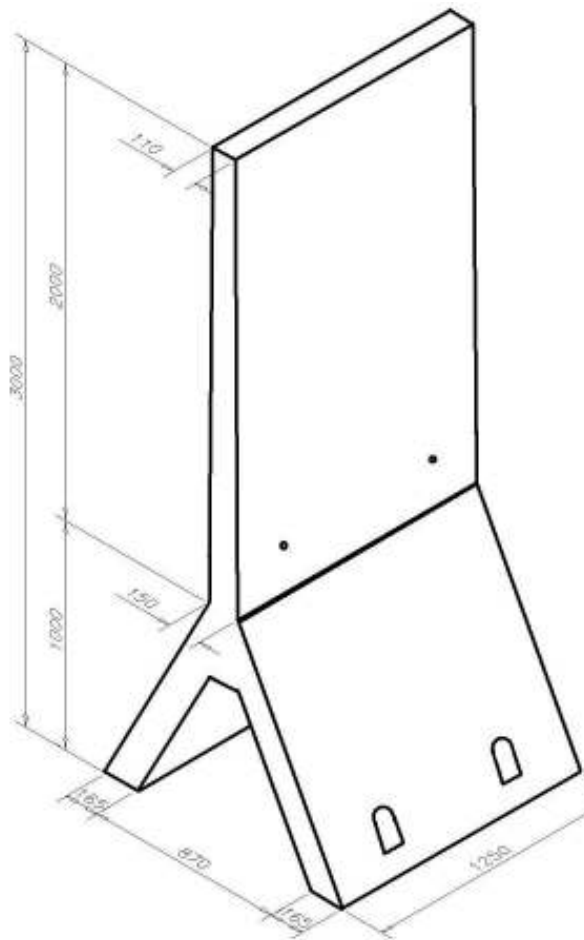


2.4m high corner unit

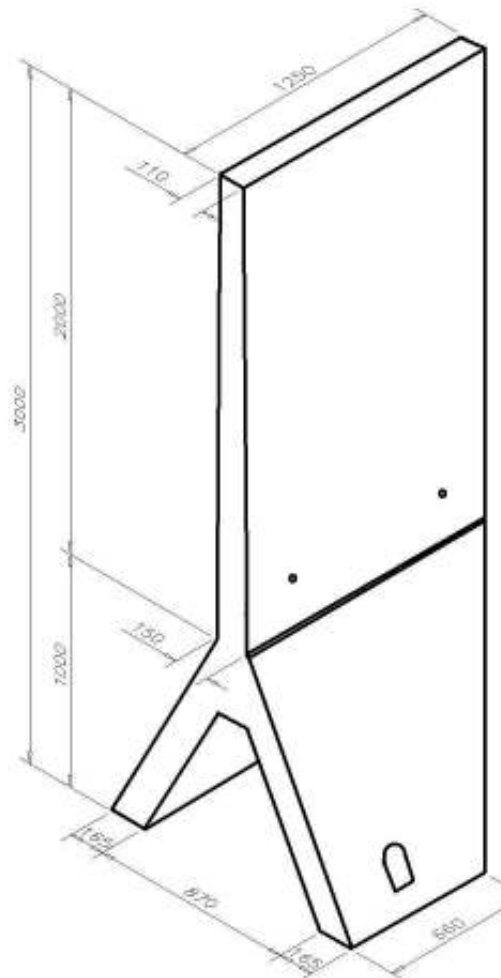
## Screw Bolt Requirements

Whether loading one side or both sides of Rocket wall® the following screw bolts will be required for each unit:

Height (m)	Screw bolts required (no)	Diameter (mm)	Length (mm)	Length in foundation (mm)
2.40 unit	4	16	225	125
2.40m corner	2	16	225	125



3.0m high Rocket Wall unit



3.0m high corner unit

### Screw Bolt Requirements

Whether loading one side or both sides of Rocket wall® the following screw bolts will be required for each unit:

Height (m)	Screw bolts required (no)	Diameter (mm)	Length (mm)	Length in foundation (mm)
3.00 unit	4	16	225	125
3.00m corner	2	16	225	125

### Guidelines for Offloading

Units are delivered vertically and should be offloaded and stacked upon timber bearers as shown in Fig. 1.

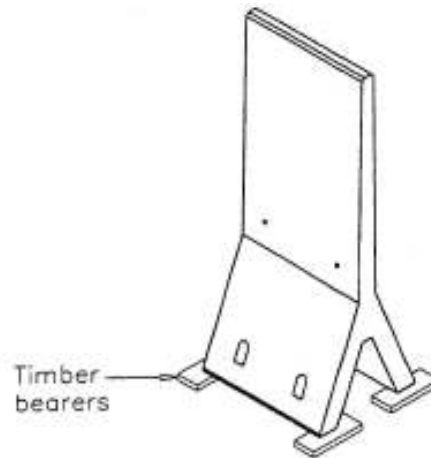
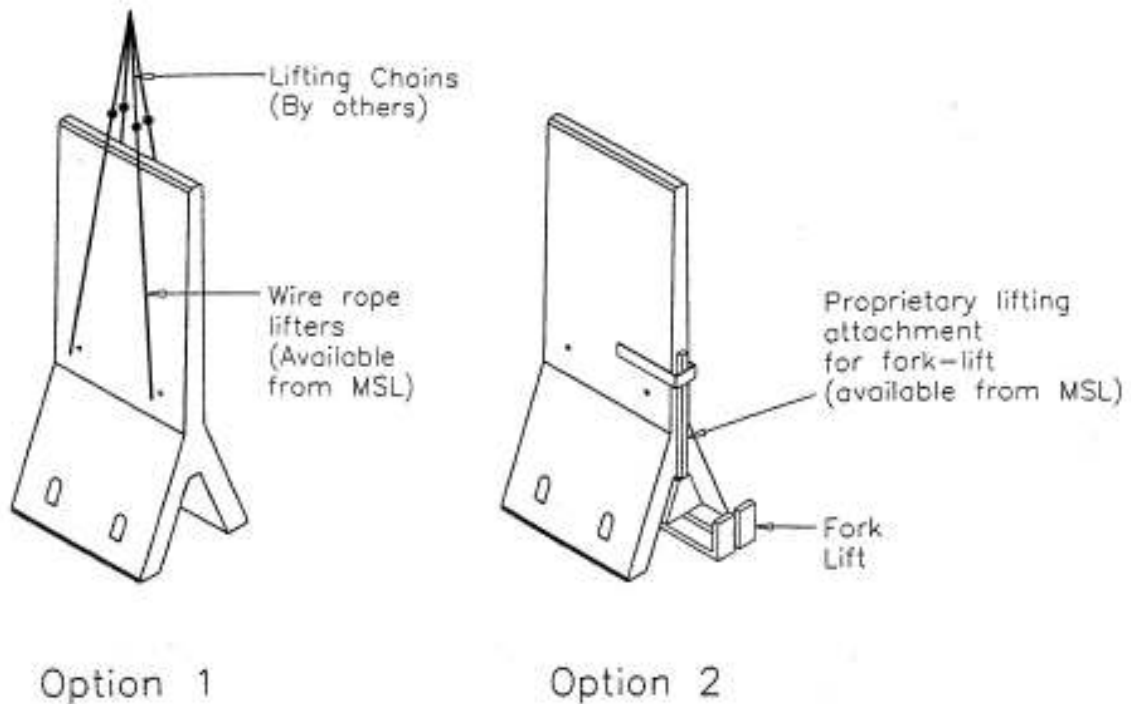


Fig. 1

Offloading and installation should be carried out in this position using Option 1 or Option 2.



### Guidelines for Installation

1. Position, line and level wall units on continuous mortar bed both sides. Strike mortar off flush.
2. Drill 4 no. 16mm diameter holes 125mm deep into base slab, using holes in unit as pilots.
3. Insert 16mm screw bolts with plate washer into each hole then tighten to 100N/m torque.
4. Using non-shrink mortar and a trowel fill recess and strike off flush.
5. Leave to cure for a minimum of 48 hours before loading.